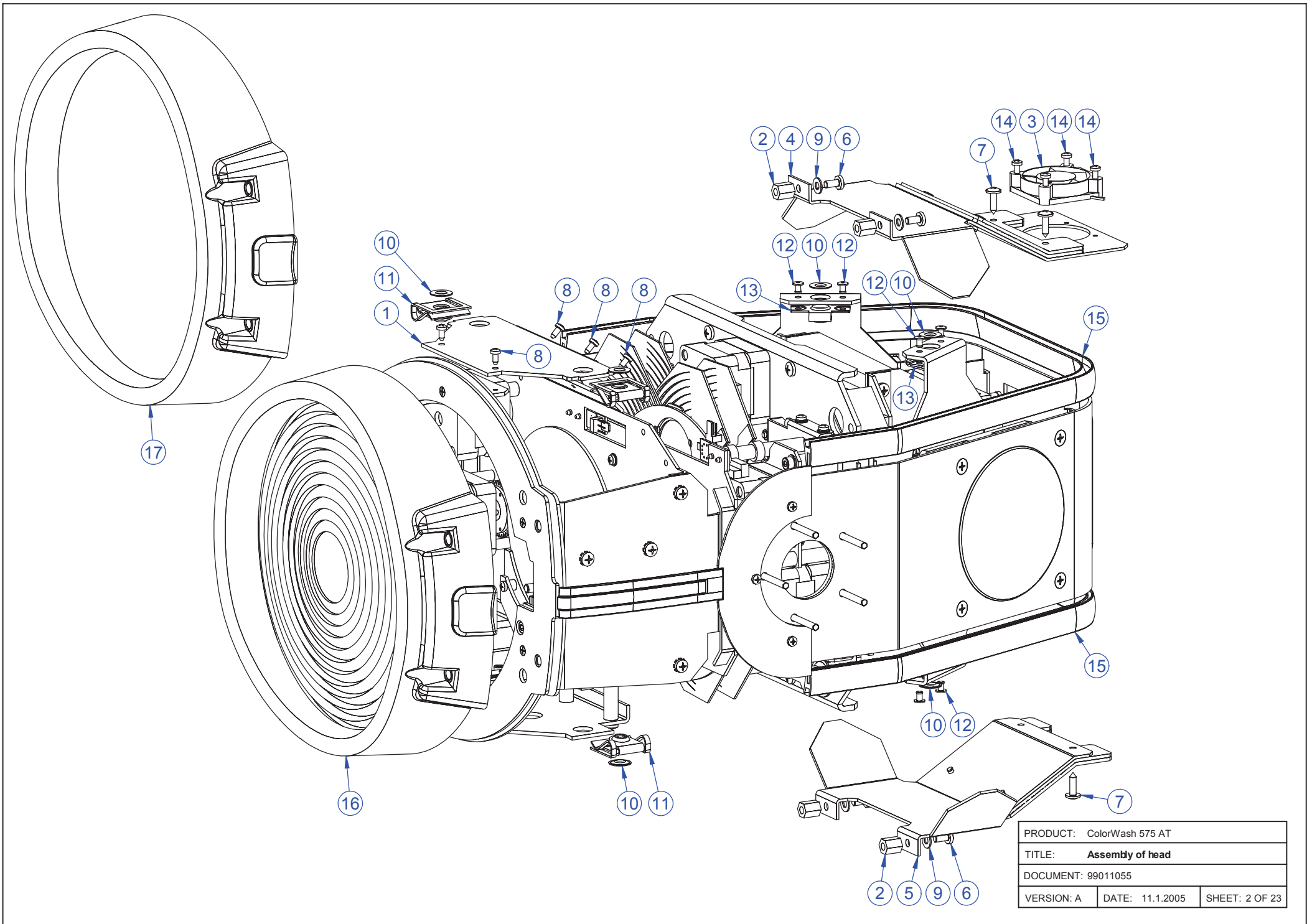
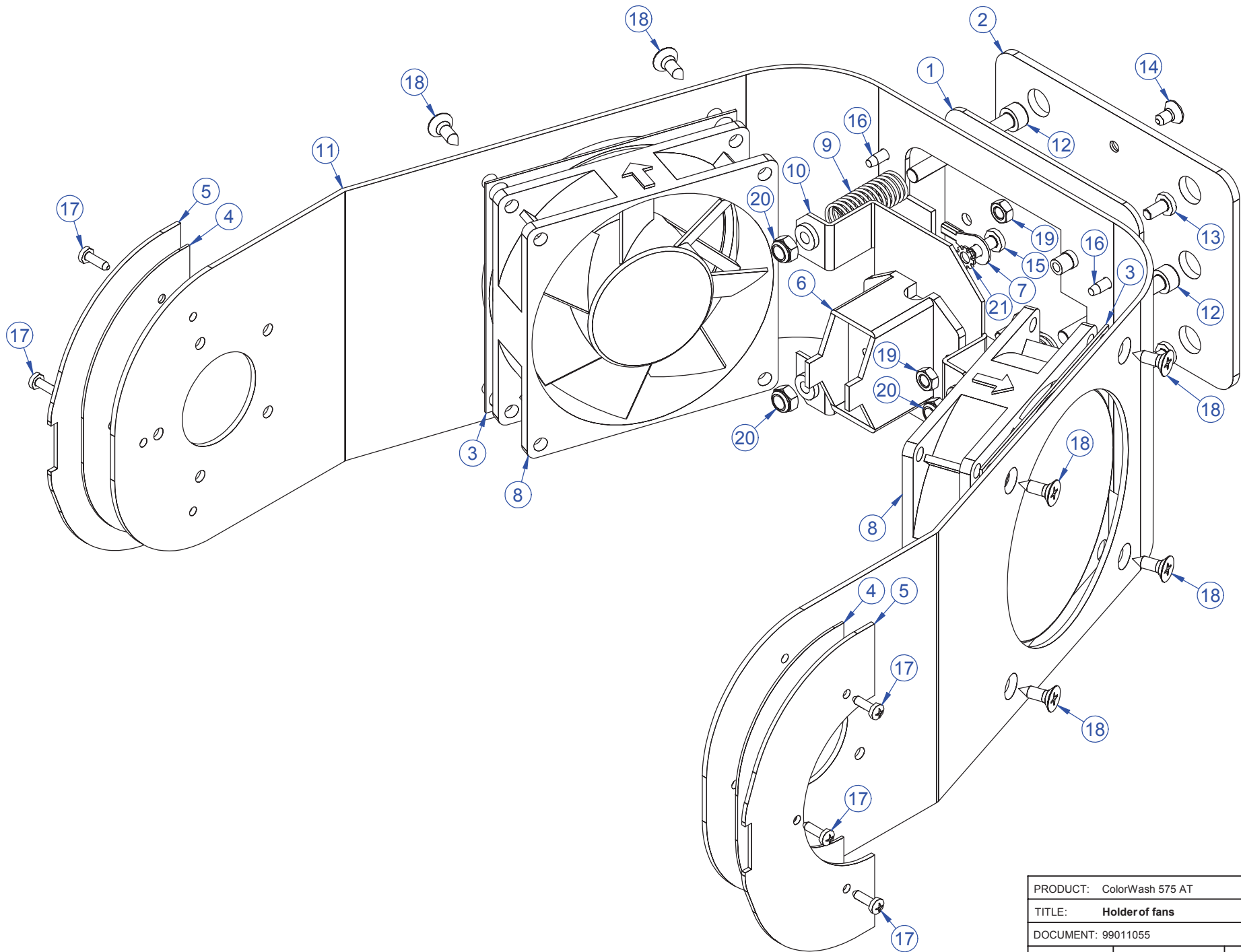


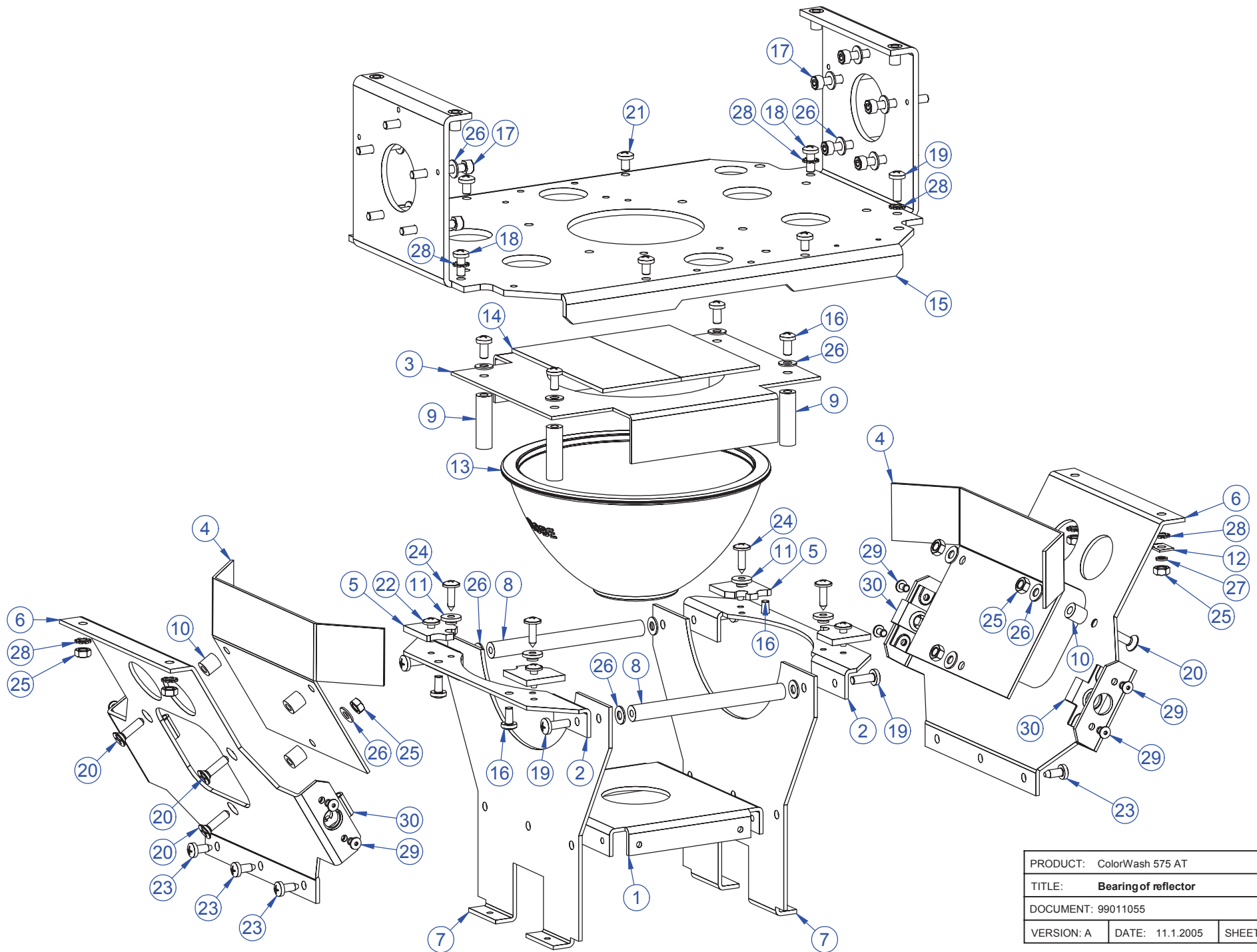
PRODUCT: ColorWash 575 AT		
TITLE: Covers		
DOCUMENT: 99011104		
VERSION: A	DATE: 11.1.2005	SHEET: 1 OF 23



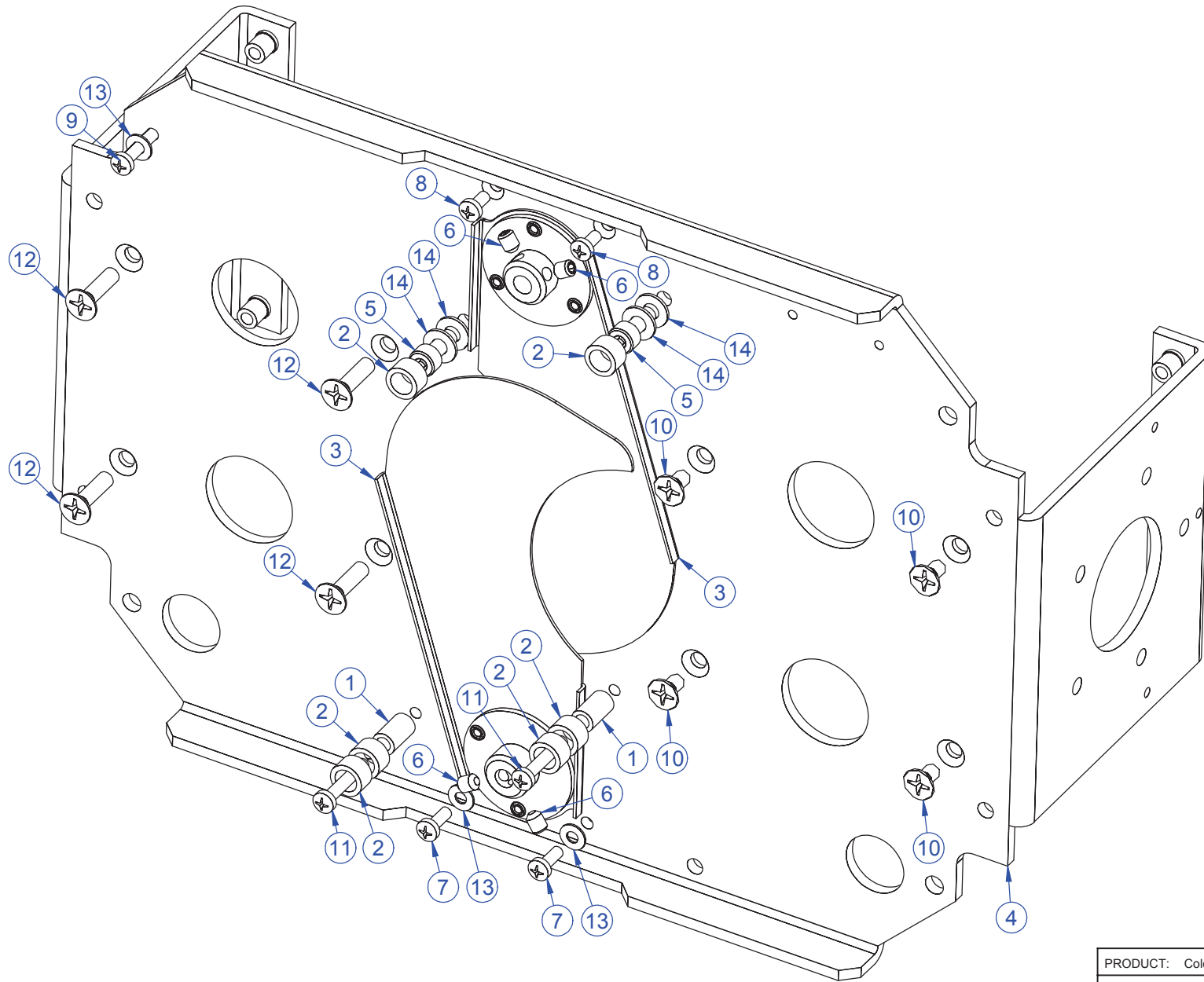
PRODUCT: ColorWash 575 AT		
TITLE: <b>Assembly of head</b>		
DOCUMENT: 99011055		
VERSION: A	DATE: 11.1.2005	SHEET: 2 OF 23



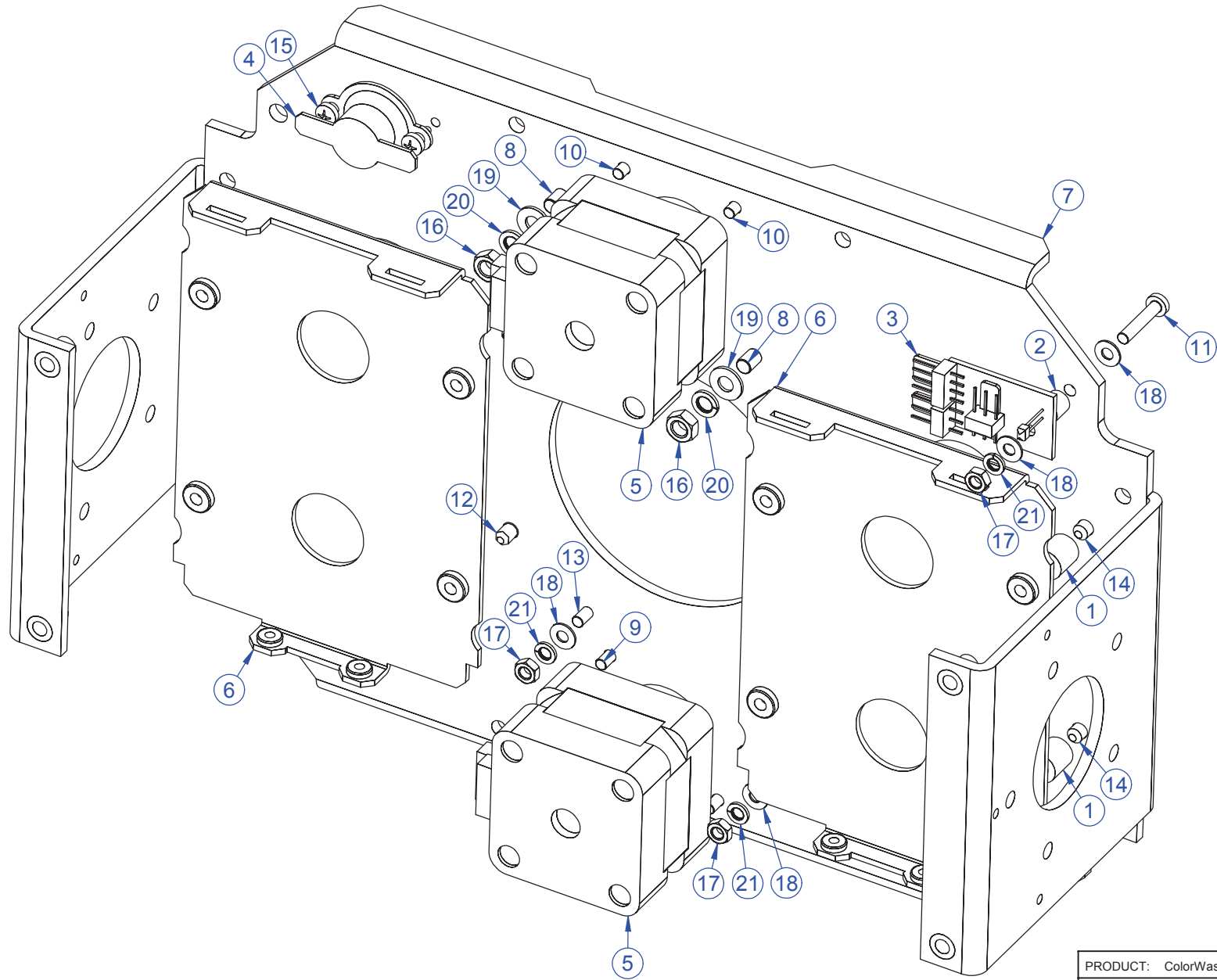
PRODUCT: ColorWash 575 AT		
TITLE: <b>Holder of fans</b>		
DOCUMENT: 99011055		
VERSION: A	DATE: 11.1.2005	SHEET: 3 OF 23



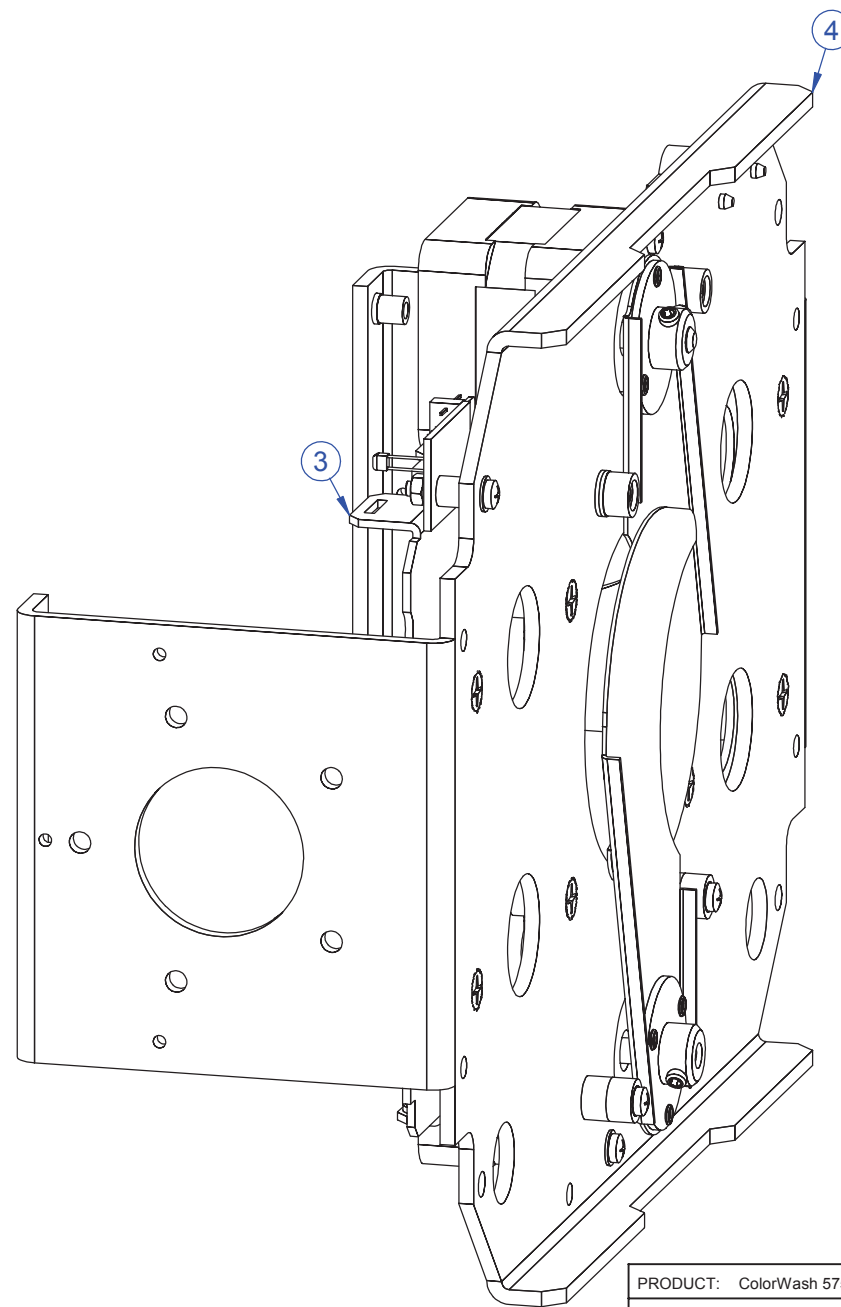
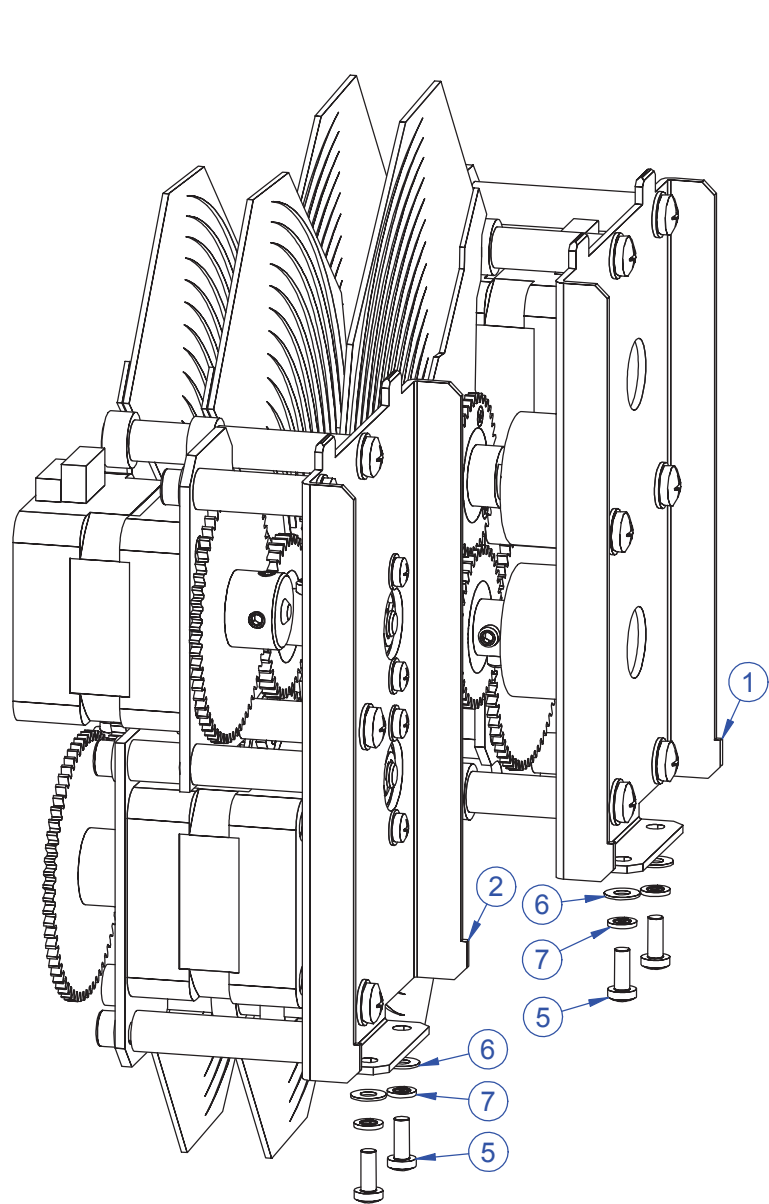
PRODUCT: ColorWash 575 AT		
TITLE: <b>Bearing of reflector</b>		
DOCUMENT: 99011055		
VERSION: A	DATE: 11.1.2005	SHEET: 4 OF 23



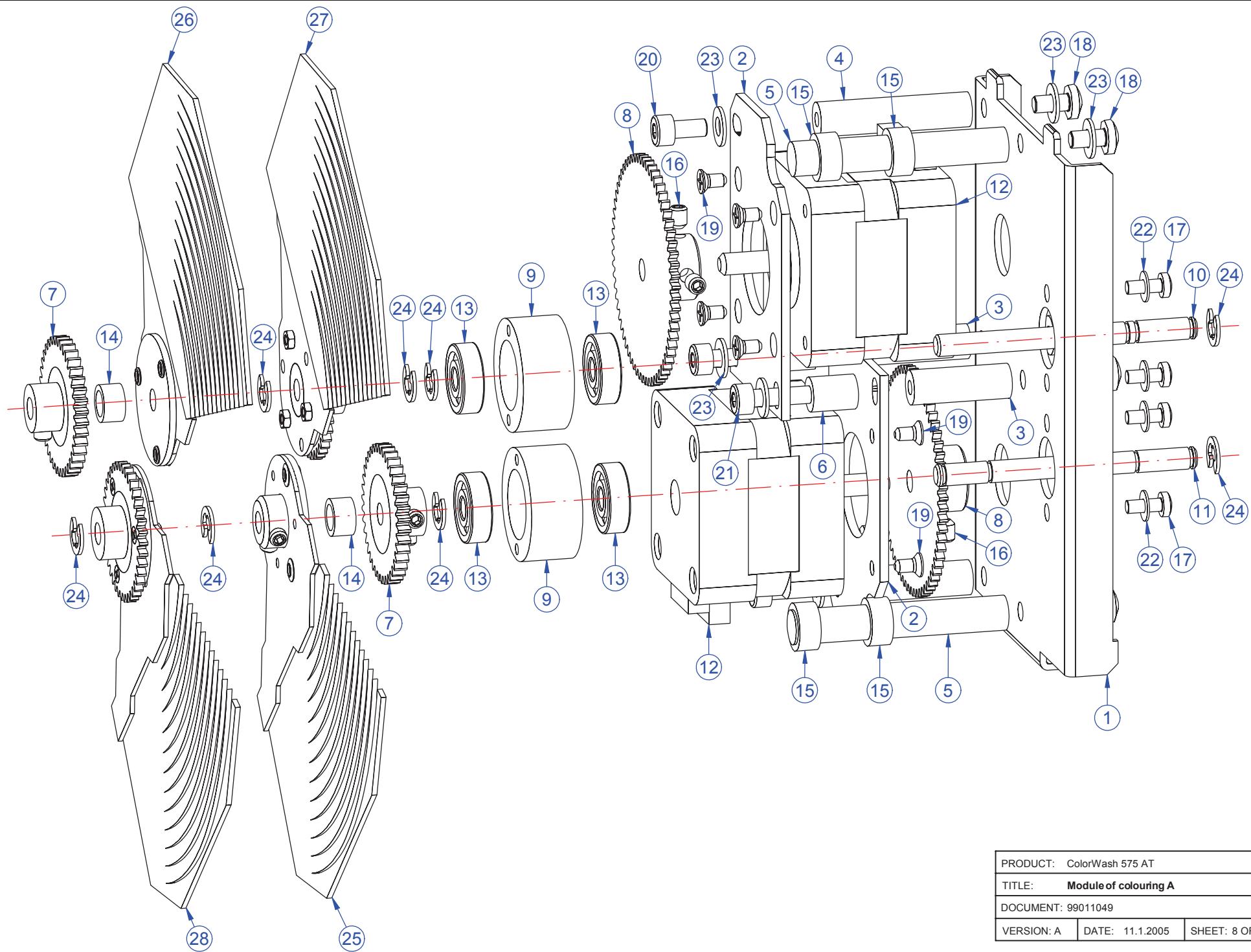
PRODUCT: ColorWash 575 AT		
TITLE: <b>Central module part 1</b>		
DOCUMENT: 99011055		
VERSION: A	DATE: 11.1.2005	SHEET: 5 OF 23



PRODUCT: ColorWash 575 AT		
TITLE: <b>Central module part 2</b>		
DOCUMENT: 99011055		
VERSION: A	DATE: 11.1.2005	SHEET: 6 OF 23

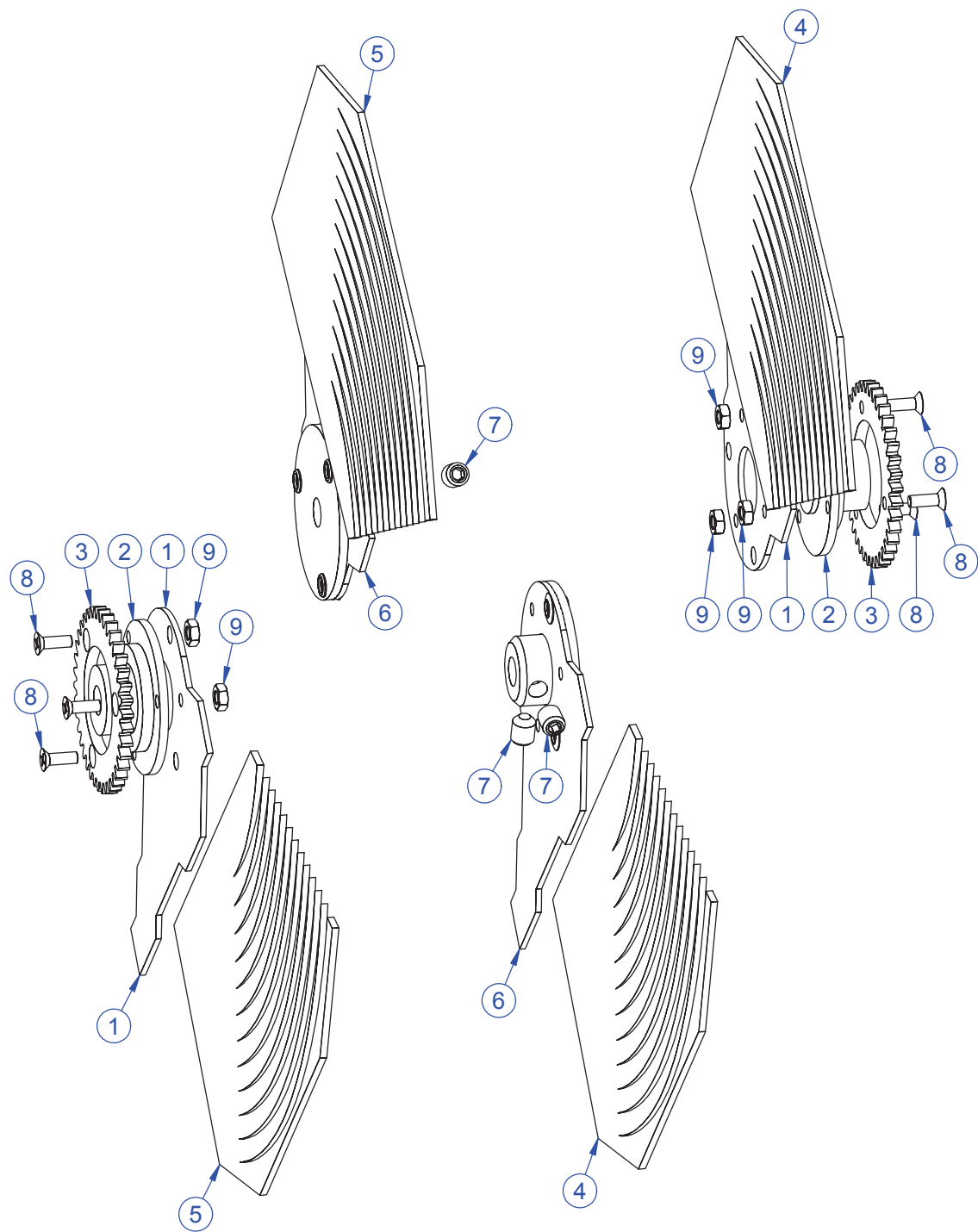


PRODUCT: ColorWash 575 AT		
TITLE: <b>Holder of colouring</b>		
DOCUMENT: 99011055		
VERSION: A	DATE: 11.1.2005	SHEET: 7 OF 23

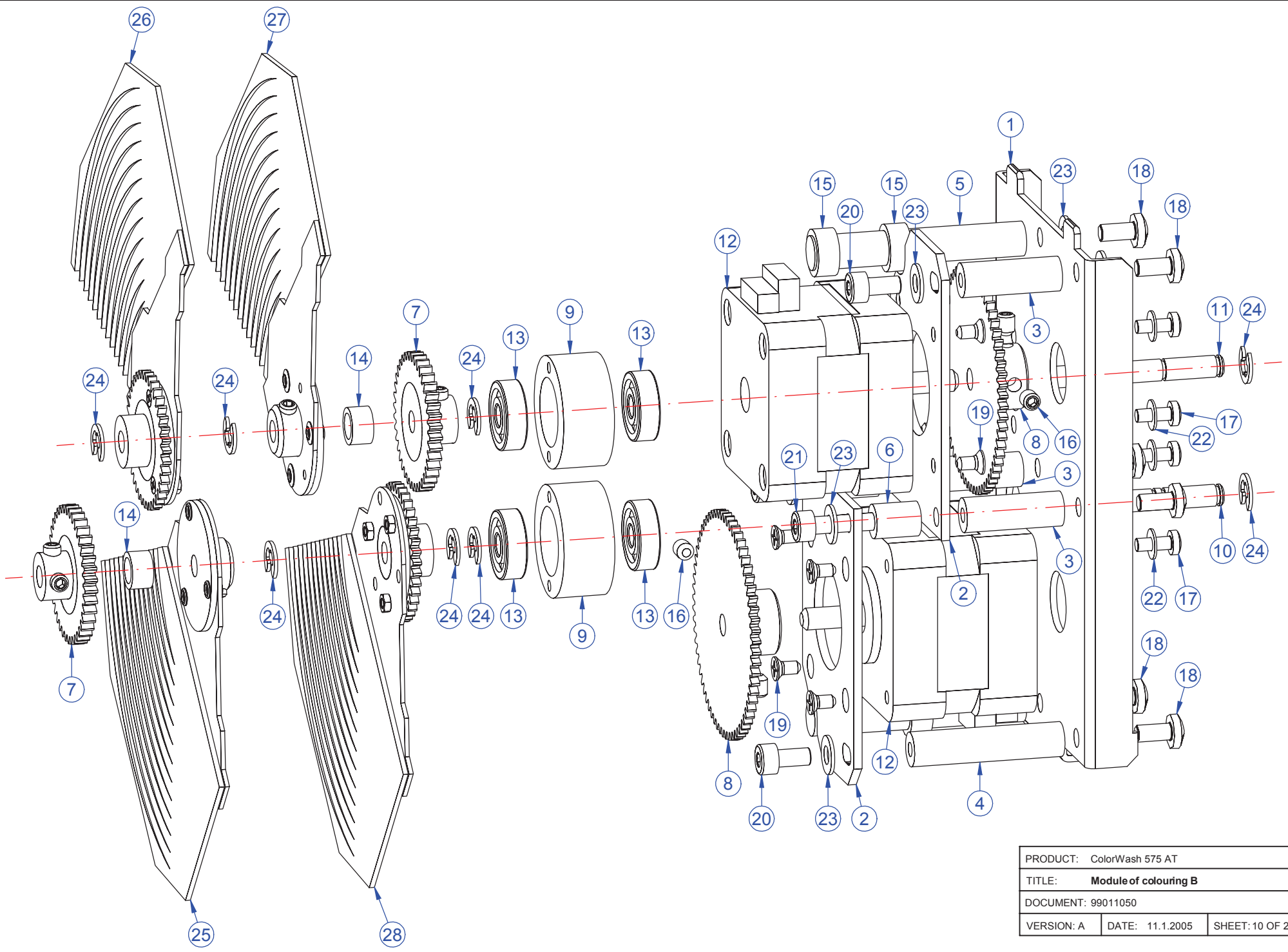


PRODUCT: ColorWash 575 AT		
TITLE: <b>Module of colouring A</b>		
DOCUMENT: 99011049		
VERSION: A	DATE: 11.1.2005	SHEET: 8 OF 23

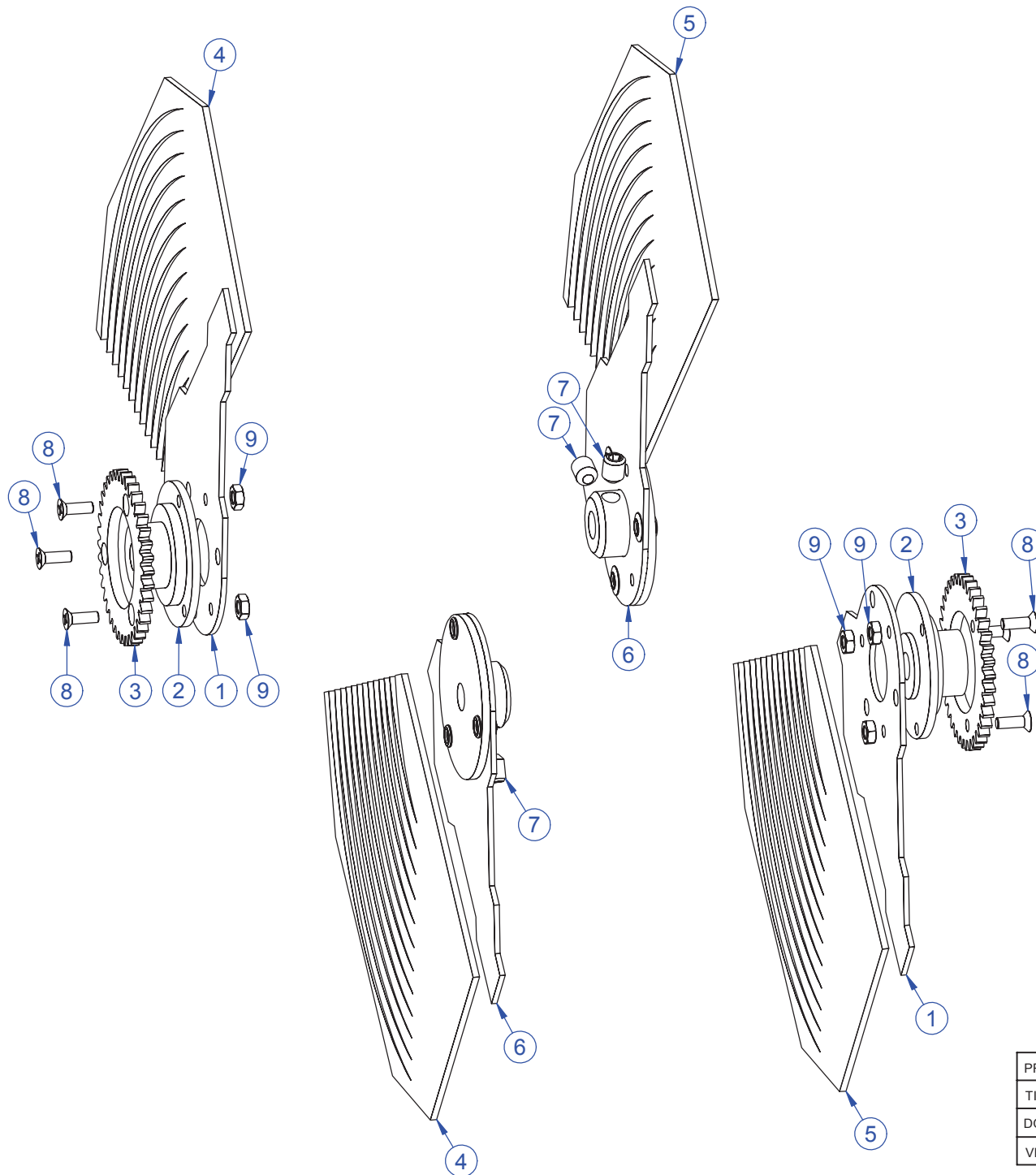




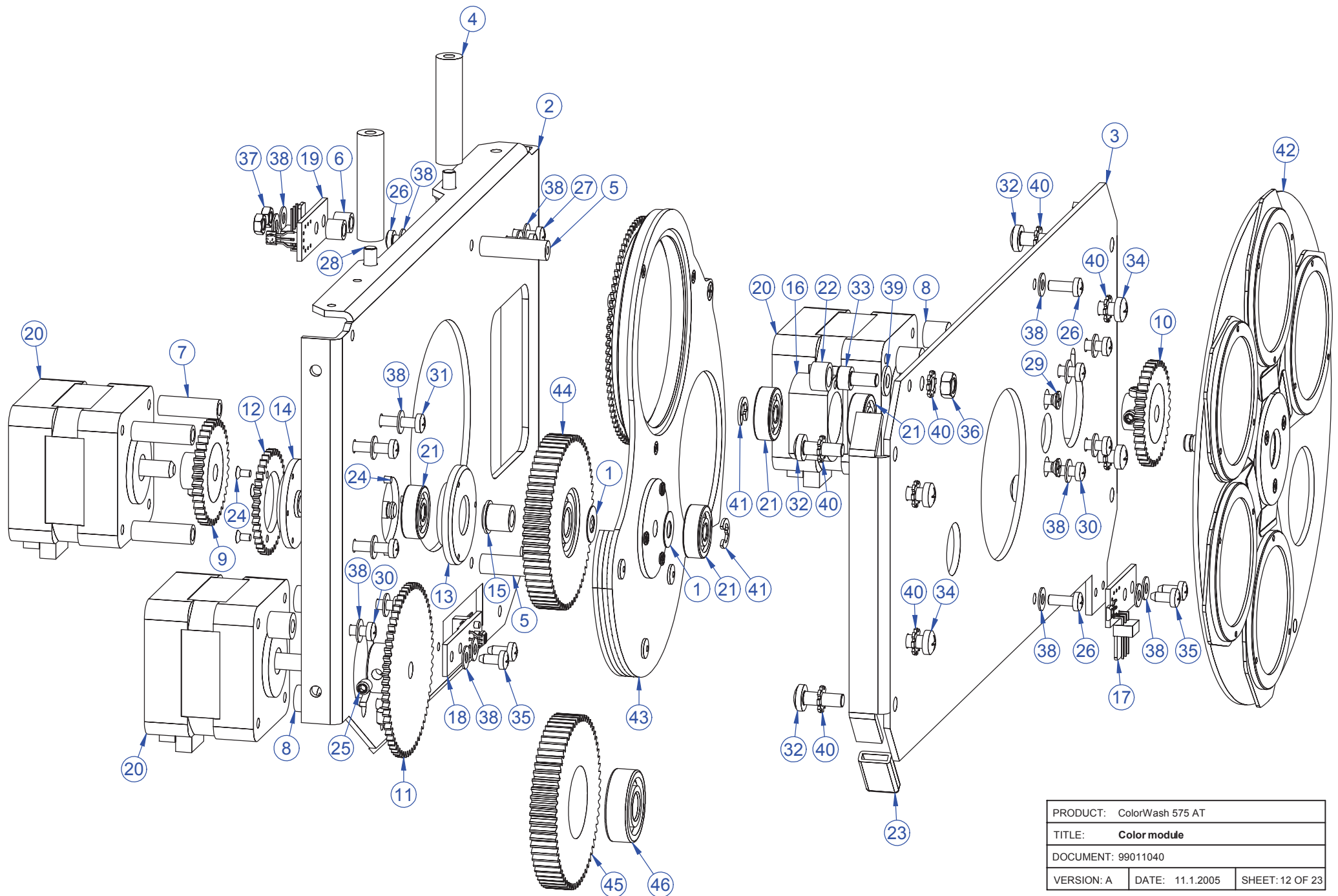
PRODUCT: ColorWash 575 AT		
TITLE: <b>Lamelle colouring A</b>		
DOCUMENT: 99011049		
VERSION: A	DATE: 11.1.2005	SHEET: 9 OF 23



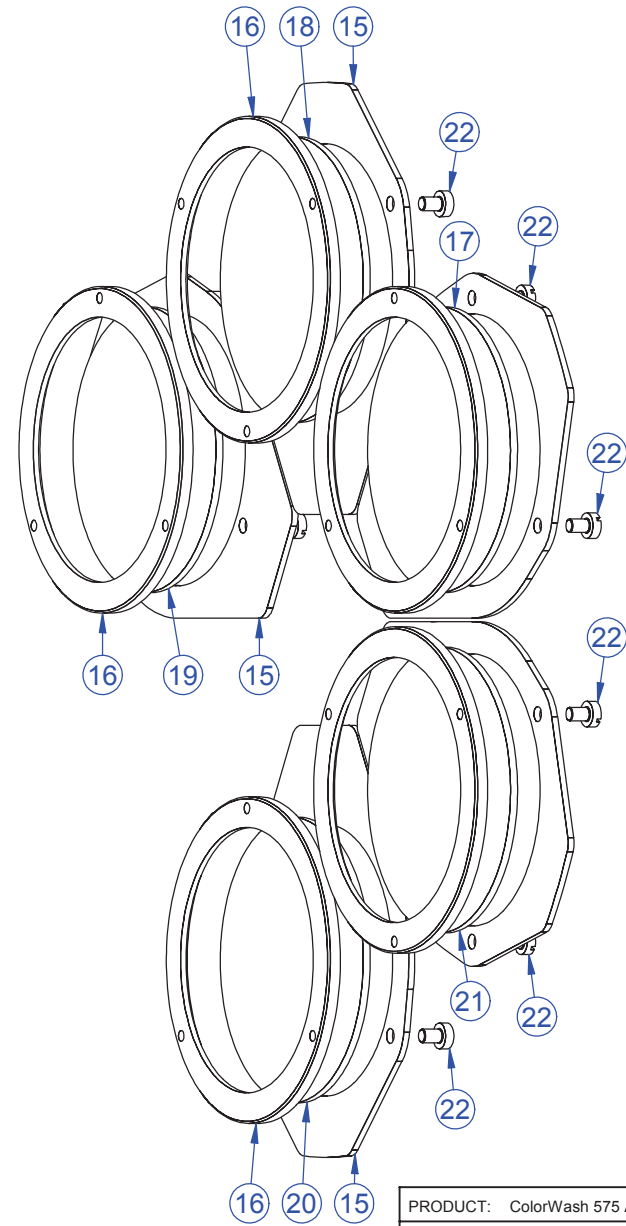
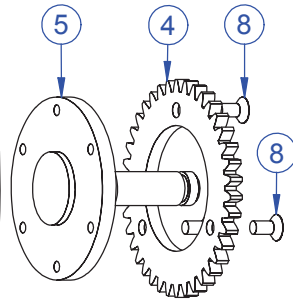
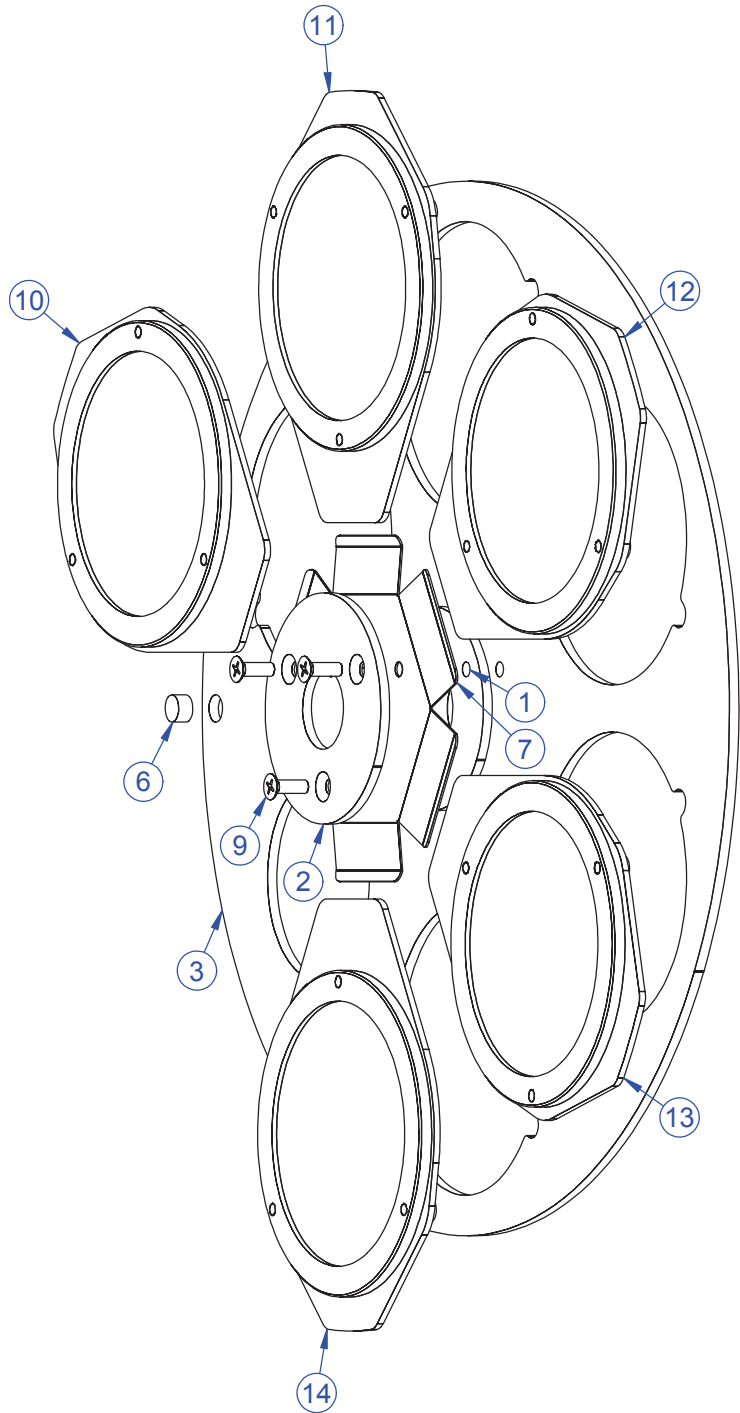
PRODUCT: ColorWash 575 AT		
TITLE: <b>Module of coloring B</b>		
DOCUMENT: 99011050		
VERSION: A	DATE: 11.1.2005	SHEET: 10 OF 23



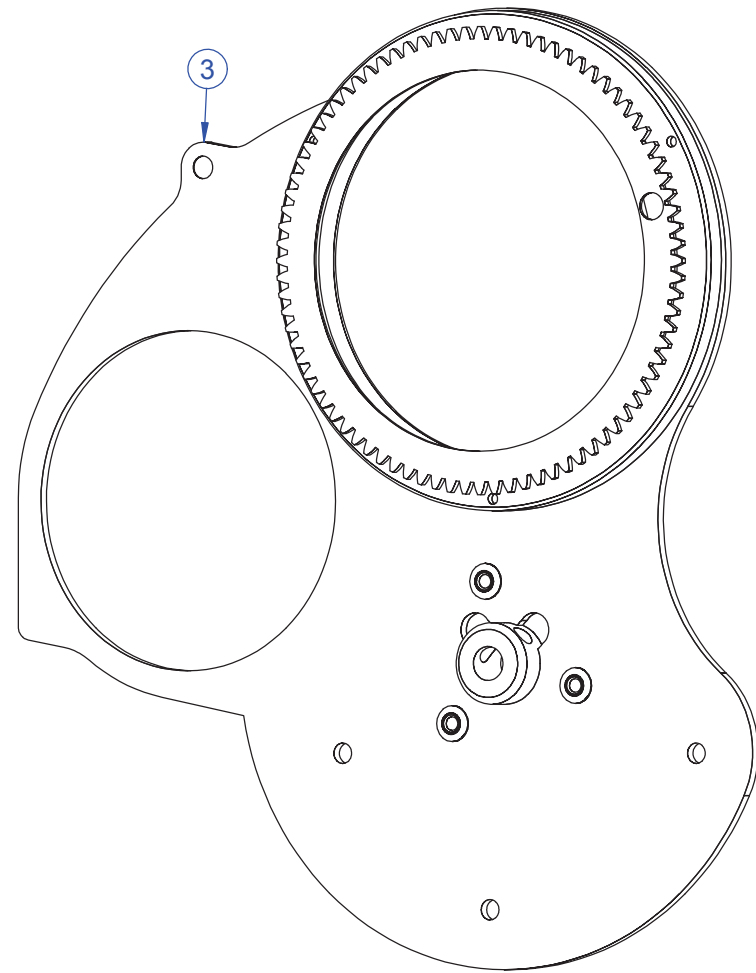
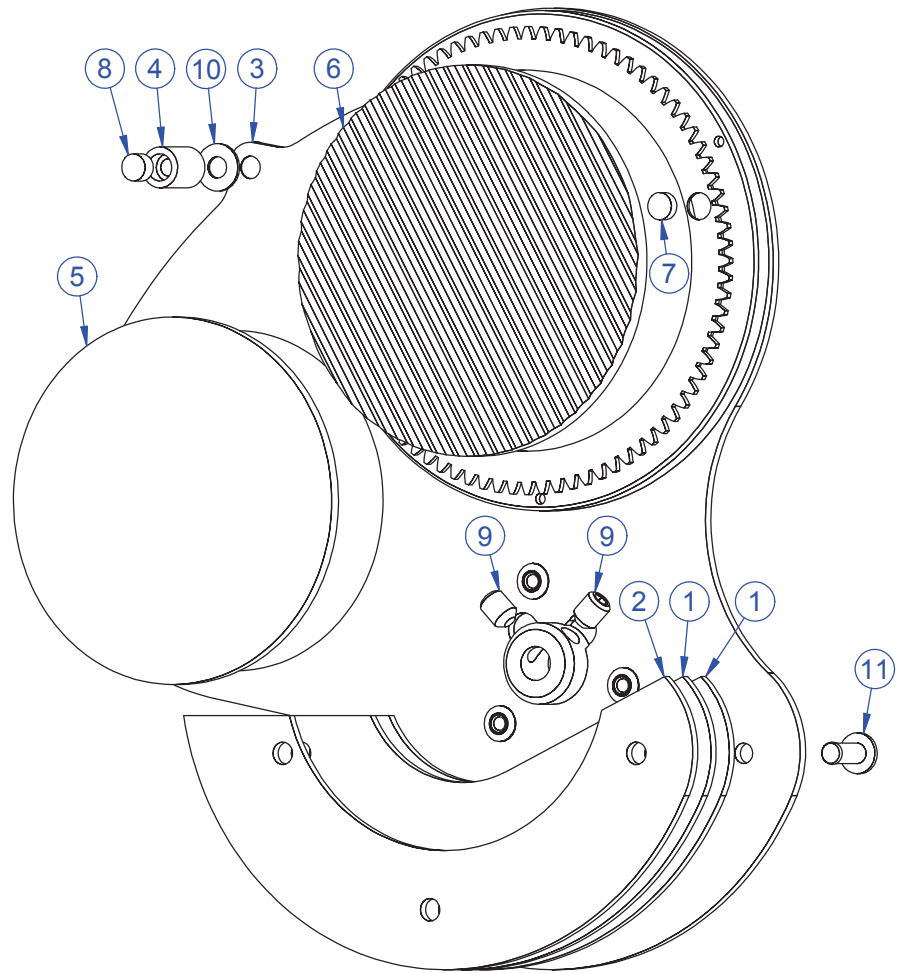
PRODUCT: ColorWash 575 AT		
TITLE: <b>Lamelle colouring B</b>		
DOCUMENT: 99011050		
VERSION: A	DATE: 11.1.2005	SHEET: 11 OF 23



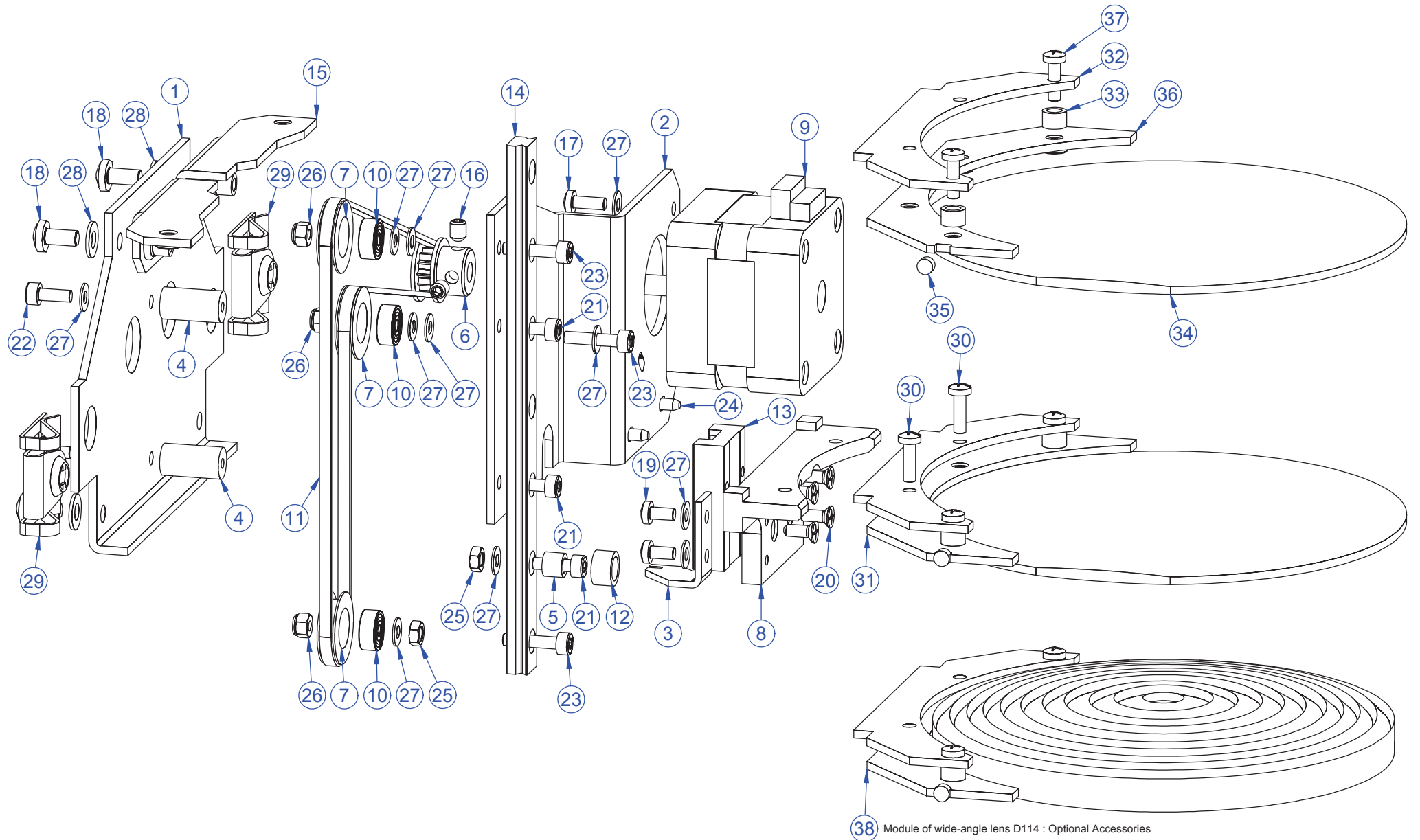
PRODUCT: ColorWash 575 AT		
TITLE: <b>Color module</b>		
DOCUMENT: 99011040		
VERSION: A	DATE: 11.1.2005	SHEET: 12 OF 23



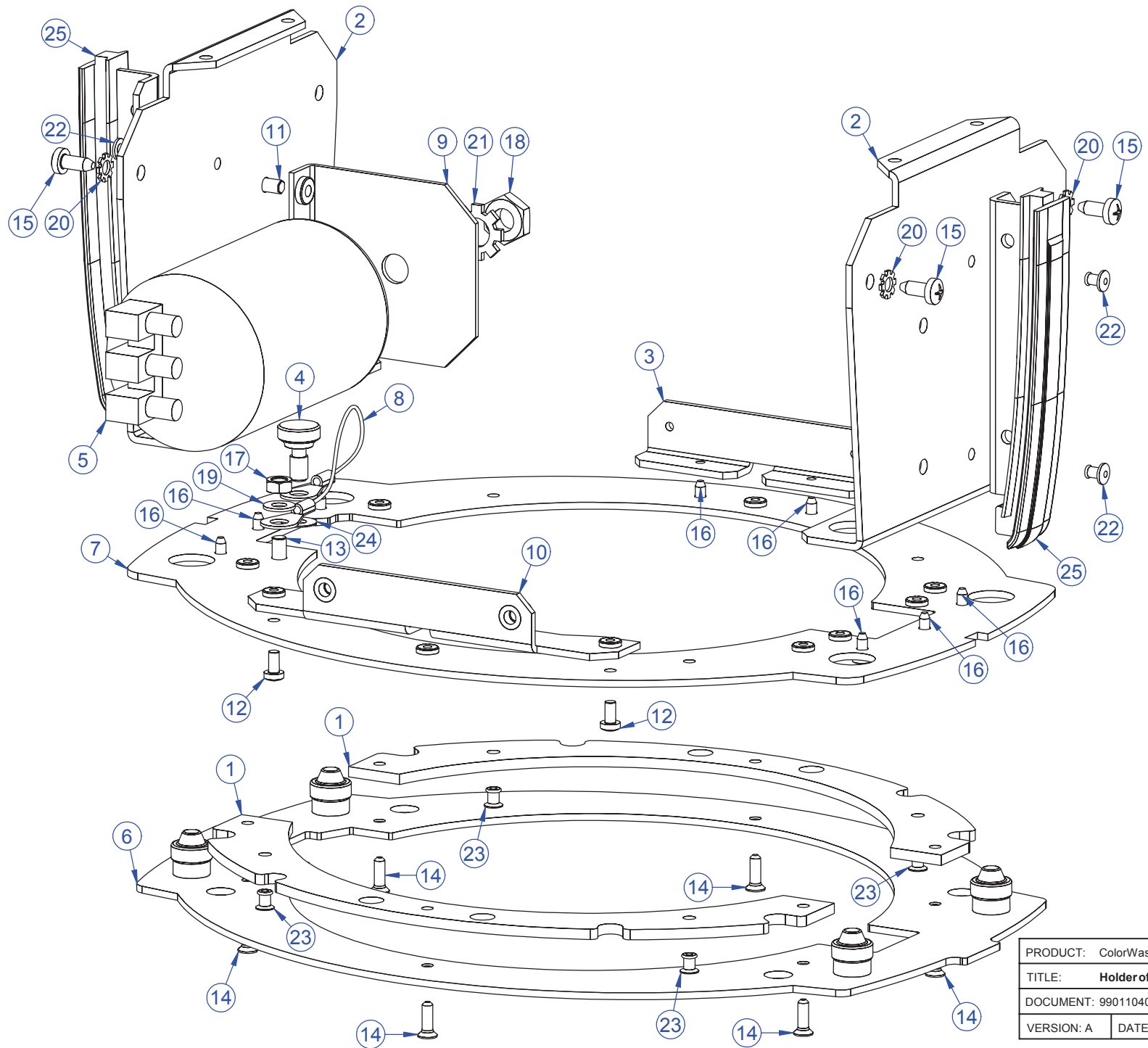
PRODUCT: ColorWash 575 AT		
TITLE: <b>Wheel Color 5+1 assembled</b>		
DOCUMENT: 99011034		
VERSION: A	DATE: 11.1.2005	SHEET: 13 OF 23



PRODUCT: ColorWash 575 AT		
TITLE: <b>Wheel Effect - assembled</b>		
DOCUMENT: 99011036		
VERSION: A	DATE: 11.1.2005	SHEET: 14 OF 23

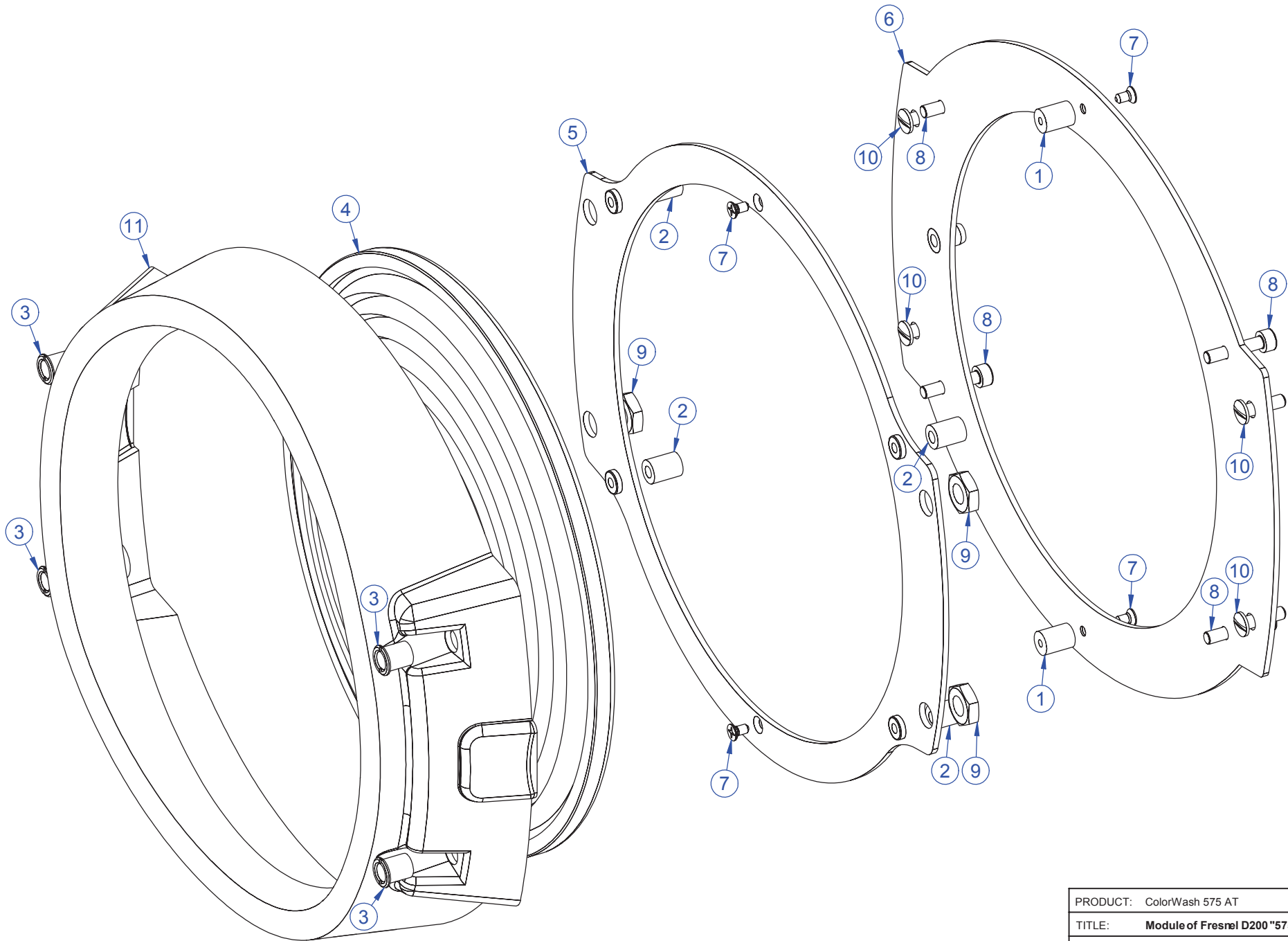


PRODUCT: ColorWash 575 AT		
TITLE: <b>Holder of module lens</b>		
DOCUMENT: 99011040		
VERSION: A	DATE: 11.1.2005	SHEET: 15 OF 23

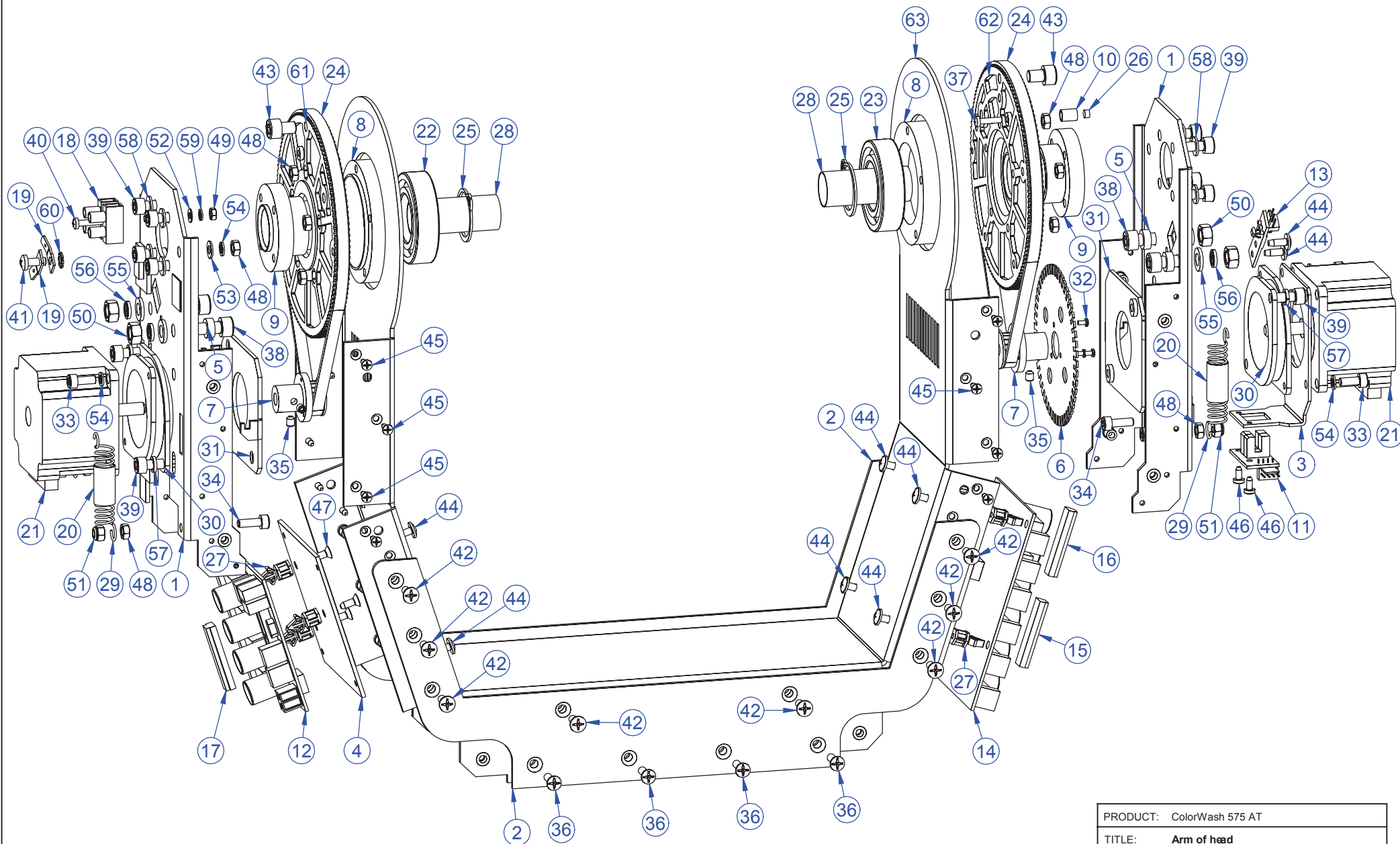


PRODUCT: ColorWash 575 AT		
TITLE: <b>Holder of objective</b>		
DOCUMENT: 99011040		
VERSION: A	DATE: 11.1.2005	SHEET: 16 OF 23

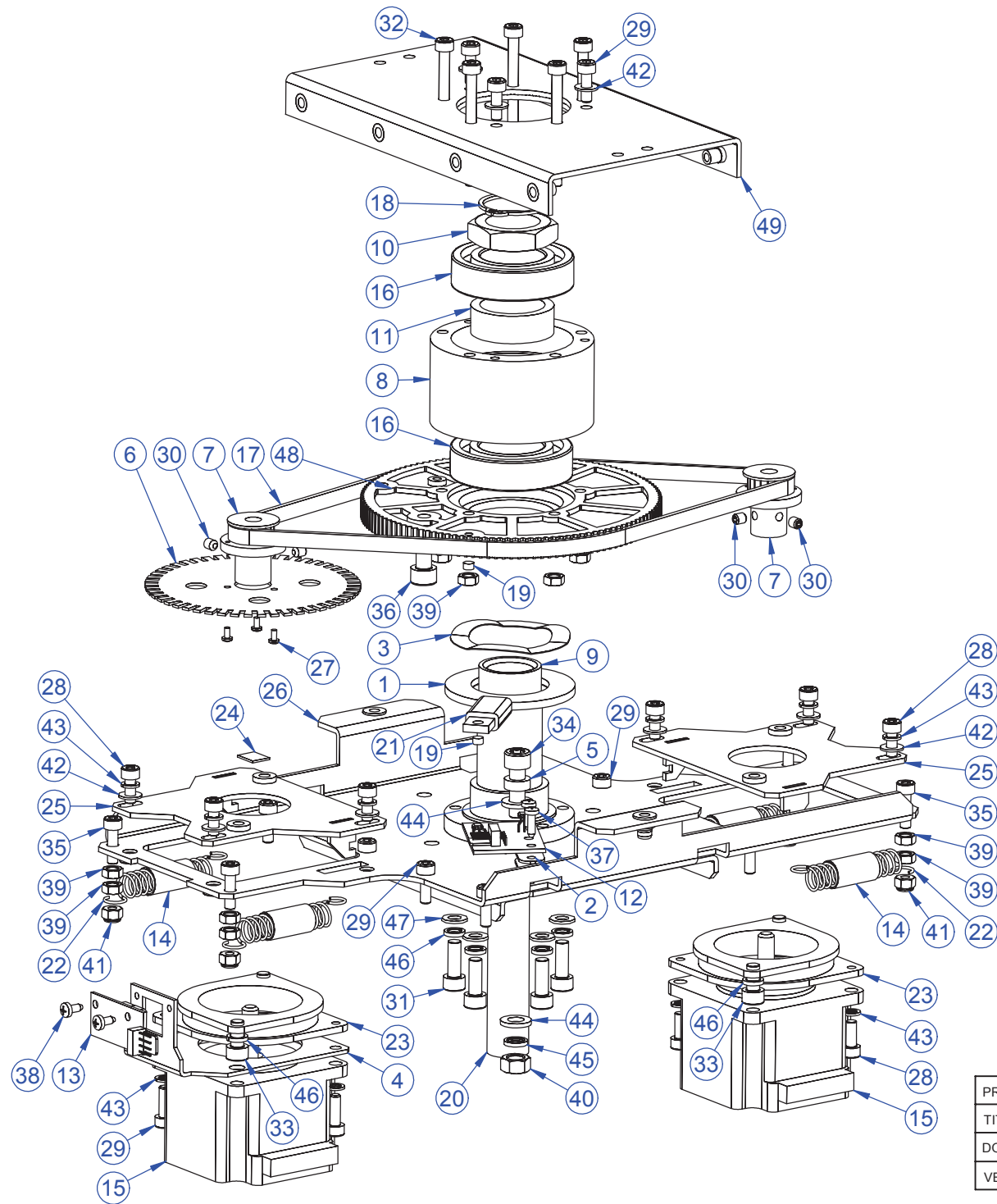




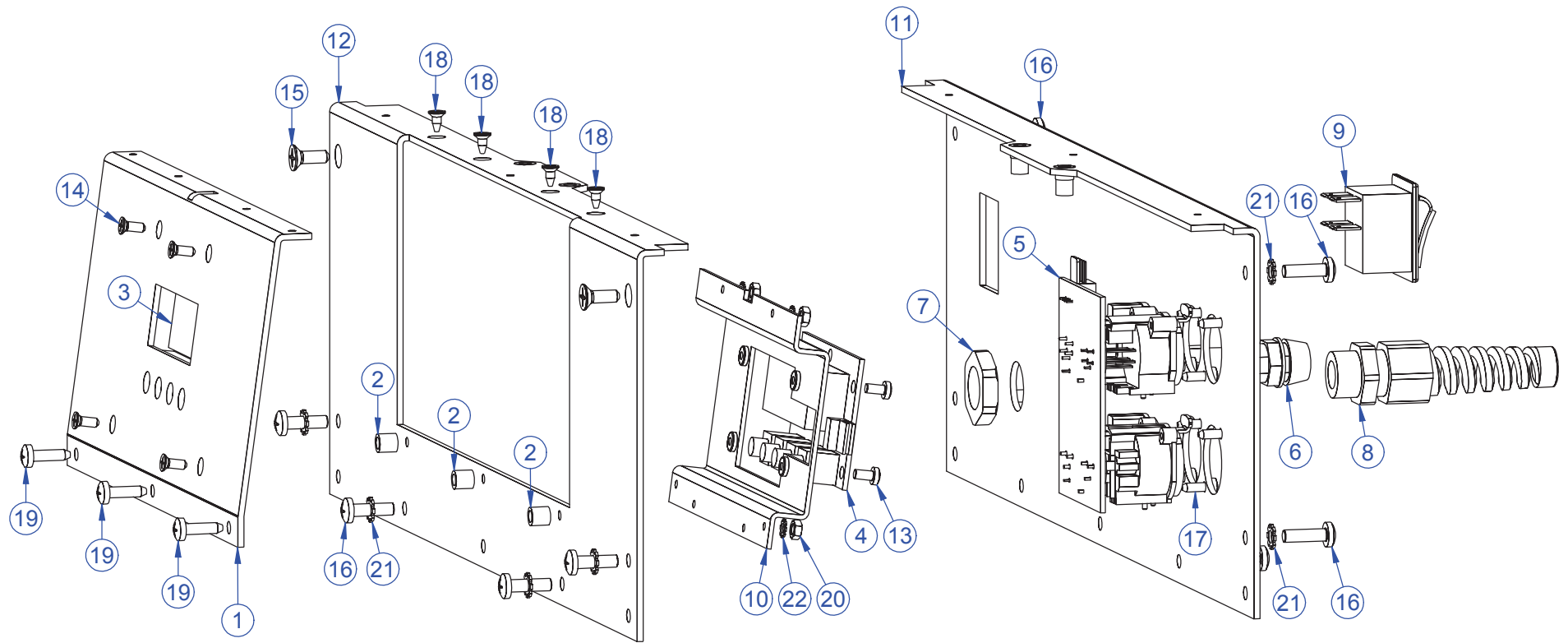
PRODUCT: ColorWash 575 AT		
TITLE: <b>Module of Fresnel D200 "575"</b>		
DOCUMENT: 99011054		
VERSION: A	DATE: 11.1.2005	SHEET: 17 OF 23



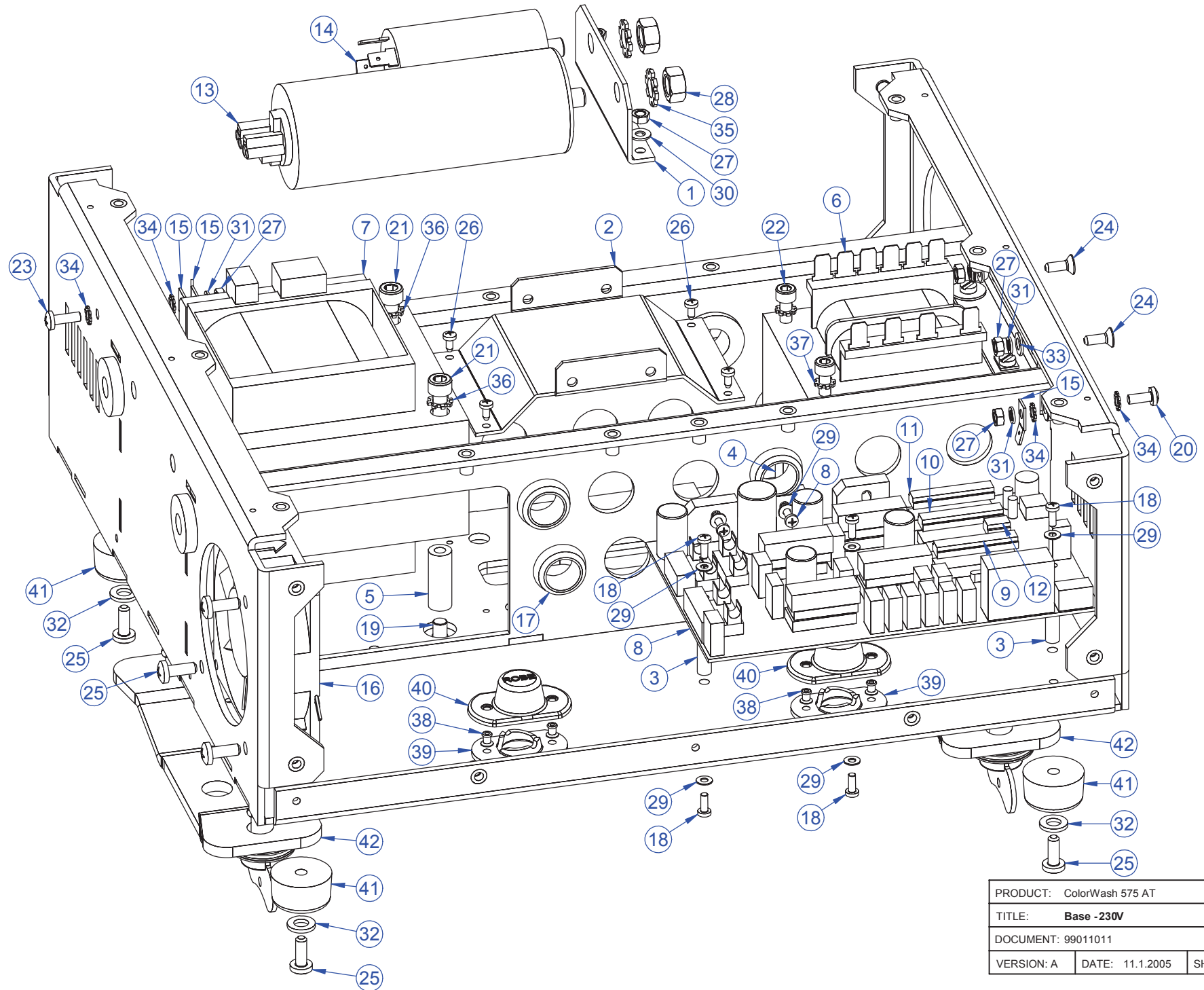
PRODUCT: ColorWash 575 AT		
TITLE: <b>Arm of head</b>		
DOCUMENT: 99011063		
VERSION: A	DATE: 11.1.2005	SHEET: 18 OF 23



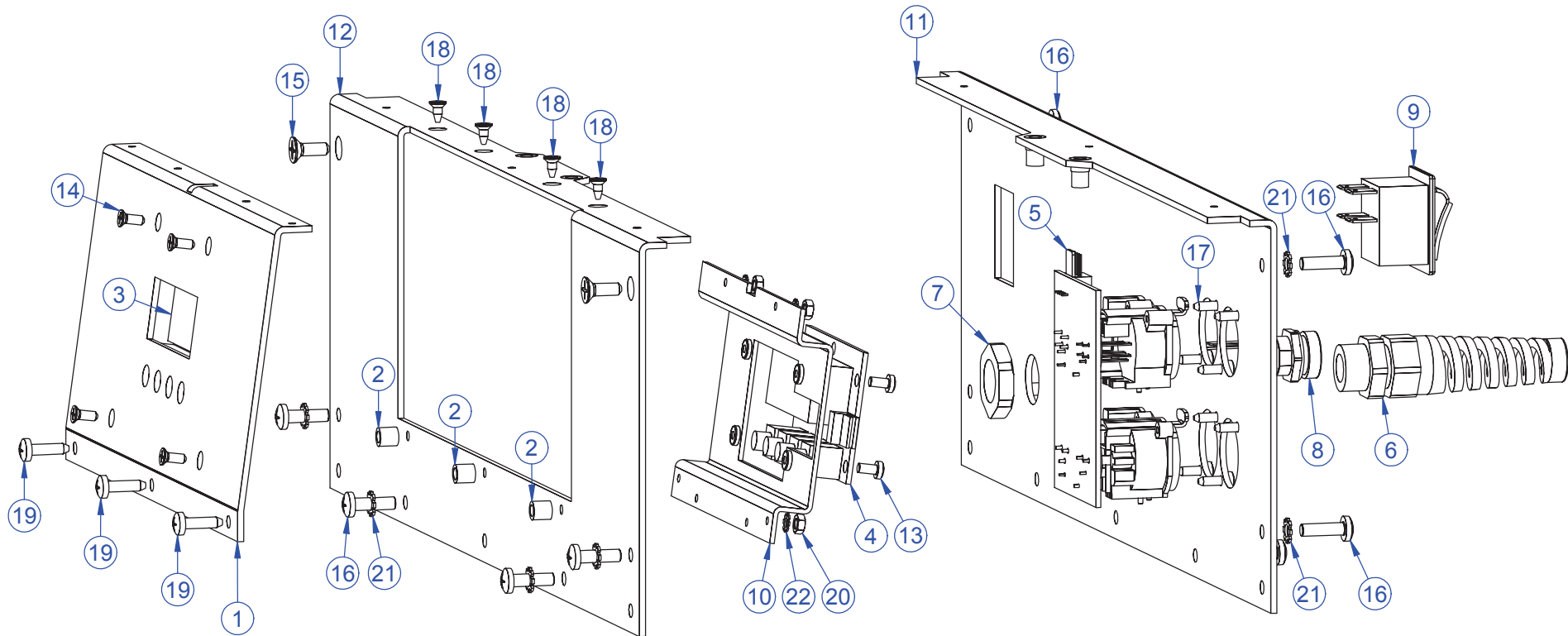
PRODUCT: ColorWash 575 AT		
TITLE: <b>Axe "X"</b>		
DOCUMENT: 99010764		
VERSION: A	DATE: 11.1.2005	SHEET: 19 OF 23



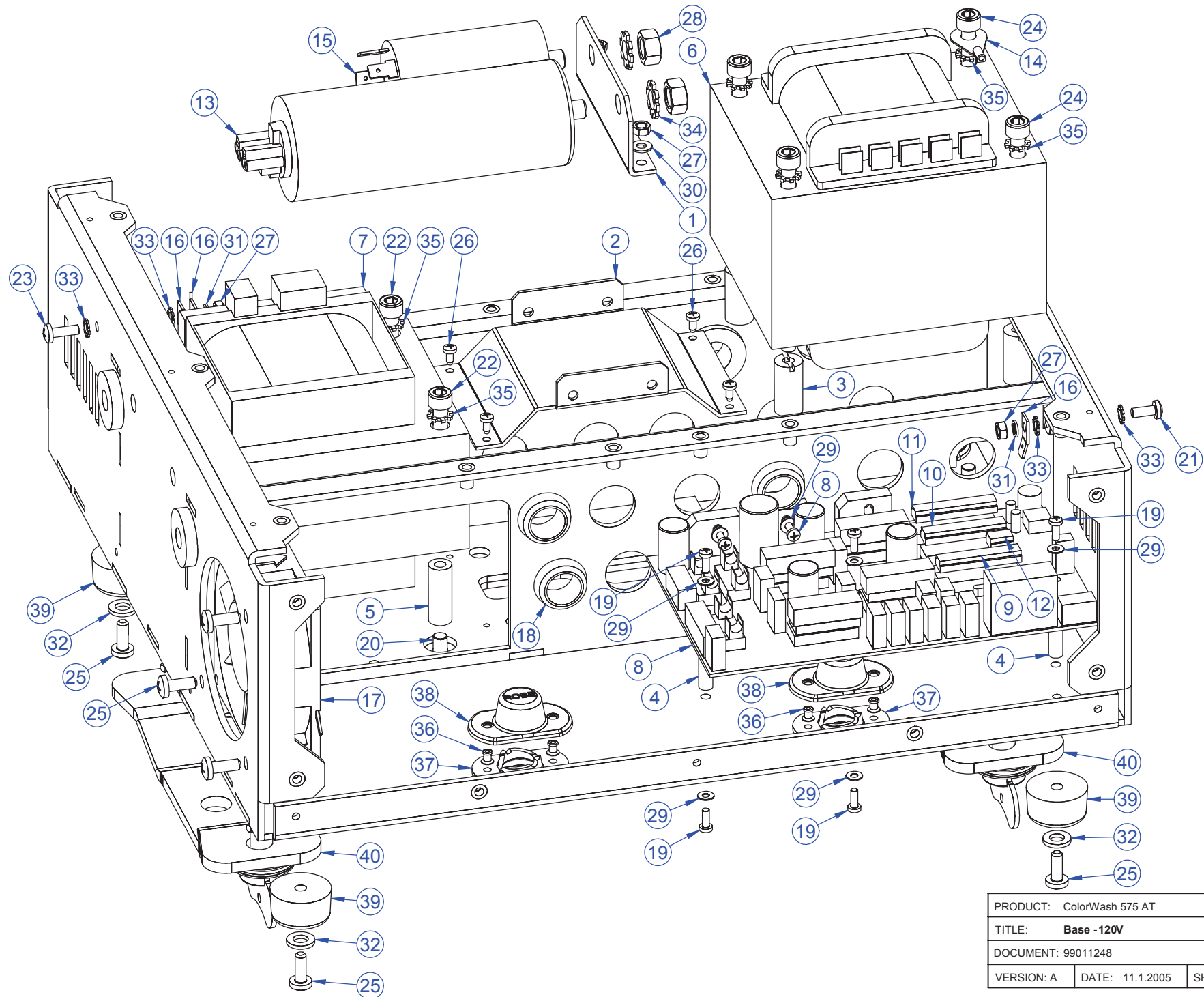
PRODUCT: ColorWash 575 AT		
TITLE: <b>Front and rear panel of base - 230V</b>		
DOCUMENT: 99011011		
VERSION: A	DATE: 11.1.2005	SHEET: 20 OF 23



PRODUCT: ColorWash 575 AT		
TITLE: <b>Base -230V</b>		
DOCUMENT: 99011011		
VERSION: A	DATE: 11.1.2005	SHEET: 21 OF 23



PRODUCT: ColorWash 575 AT		
TITLE: <b>Front and rear panel of base - 120V</b>		
DOCUMENT: 99011248		
VERSION: A	DATE: 11.1.2005	SHEET: 22 OF 23



PRODUCT: ColorWash 575 AT		
TITLE: <b>Base - 120V</b>		
DOCUMENT: 99011248		
VERSION: A	DATE: 11.1.2005	SHEET: 23 OF 23